

# IPAQ-4L

## Universal High-Isolation 4-wire Transmitter



IPAQ-4L is a fully universal and programmable 4-wire (separately powered) transmitter. The high isolation provides safe and problem free measurements. Offering both current and voltage output, IPAQ-4L meets any process requirements. Designed for wall and DIN-rail mounting.

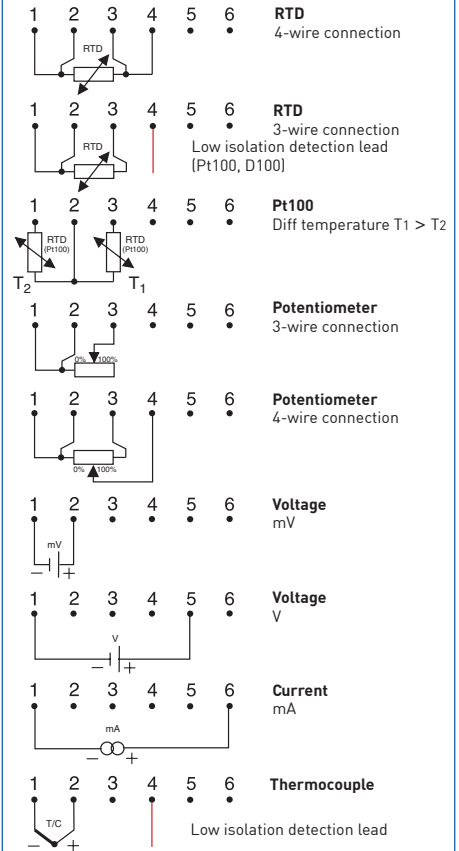
- High level isolation - 4000 VAC
- Fully universal and linearized
- Accepts RTD, T/C, mV, V, mA and  $\Omega$
- Current and voltage output
- Sensor and system error correction
- Full access to all features while in operation
- NAMUR compliant
- Consistent sensor break function
- Simplified loop check-up with calibration output
- Low sensor isolation detection
- IPRO, easy-to-use Windows configuration software

### Specifications:

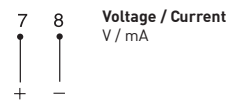
<b>Input RTD and Resistance</b>	3-, 4-wire connection
Pt100 <sup>1)</sup>	-200 to +1000 °C / -328 to +1832 °F
Pt1000 ( $\alpha=0.00385$ )	-200 to +200 °C / -328 to +392 °F
PtX $10 \leq X \leq 1000$ ( $\alpha=0.00385$ )	Upper range depending on X value
Ni100 <sup>2)</sup> , Ni120 <sup>3)</sup>	-60 to +250 °C / -76 to +482 °F
Ni1000 <sup>2)</sup>	-100 to +150 °C / -148 to +302 °F
Cu10 <sup>4)</sup>	-200 to +260 °C / -328 to +500 °F
Potentiometer / resistance	0 to 8000 $\Omega$
<b>Input Thermocouple</b>	B, C, E, J, K, L, N, R, S, T, U
<b>Input Voltage</b>	-10 to +500 mV / -10 to +50 V
<b>Input Current</b>	-1 to +50 mA
<b>Sensor failure / Low isolation</b>	User definable output
<b>Adjustments - Zero</b>	Any value within range limits
<b>Adjustments - Minimum spans</b>	
Pt100, Pt1000, Ni100, Ni1000	10 °C/18 °F
Potentiometer	10 $\Omega$ for $R \leq 2000 \Omega$ , 100 $\Omega$ for $R > 2000 \Omega$
T/C, mV	2 mV
Volt	0,25 V
Current	0.4 mA
<b>Output</b>	0/4-20 or 20-4/0 mA, 0/2-10 or 10-2/0 V
<b>Operating temperature</b>	-20 to +70 °C/-4 to +158 °F
<b>Galvanic isolation</b>	4000 VAC, 1 min
<b>Power supply</b>	Part No. 70IP4L0001 90 to 250 VAC / 110 to 220 VDC Part No. 70IP4L0002 20-30 VDC
<b>Typical accuracy</b>	$\pm 0.1\%$ of span
<b>Mounting</b>	Rail acc. to DIN EN50022, 35 mm and wall (brackets)

<sup>1)</sup>  $\alpha=0.00385$ ,  $\alpha=0.003916$  or  $\alpha=0.003902$  <sup>2)</sup>DIN 43760 <sup>3)</sup>Edison No. 7 <sup>4)</sup>Edison No. 15

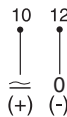
### Input connections



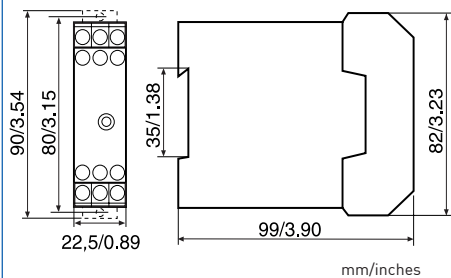
### Output connections



### Power supply



### Dimensions



### Ordering information

IPAQ-4L	70IP4L0001
[Power supply 90-250 VAC/110-220 VDC]	
IPAQ-4L	70IP4L0002
[Power supply 20-30 VDC]	
PC Configuration Kit	70CFG00092
Configuration	70CAL00001